

*They didn't know it was impossible,
so they did it.*

MARK TWAIN



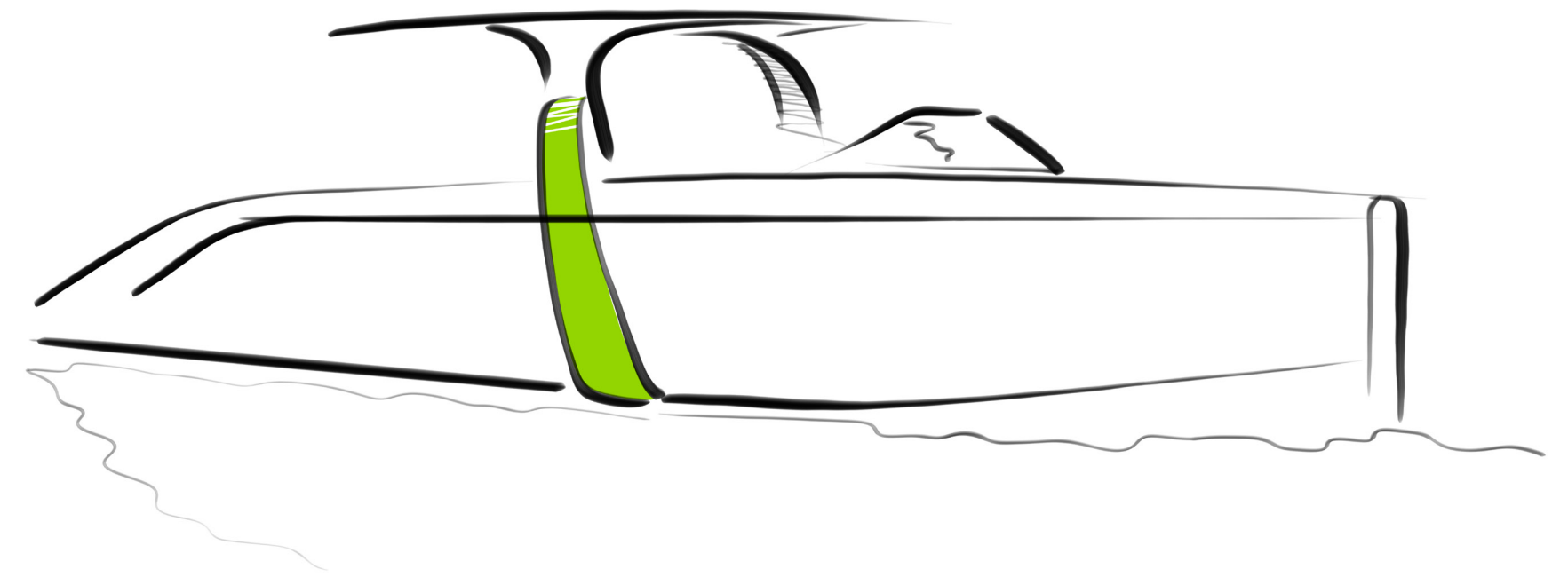
SEA*ir*
FLYING BOAT

And the dream comes true



SEAir
FLYING BOAT

Designed to fly



Somewhere beyond the sea...

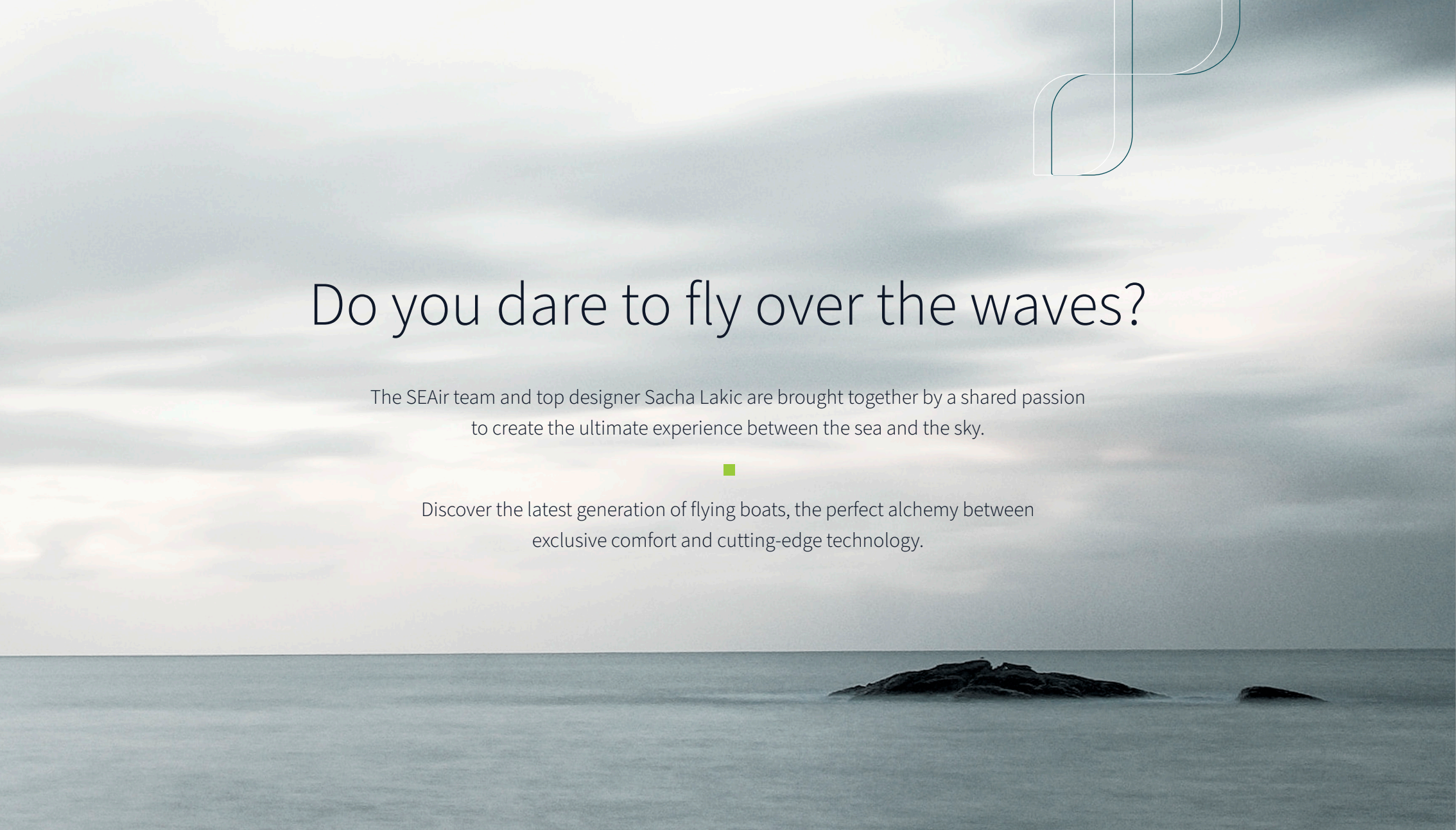


Do you dare to fly over the waves?

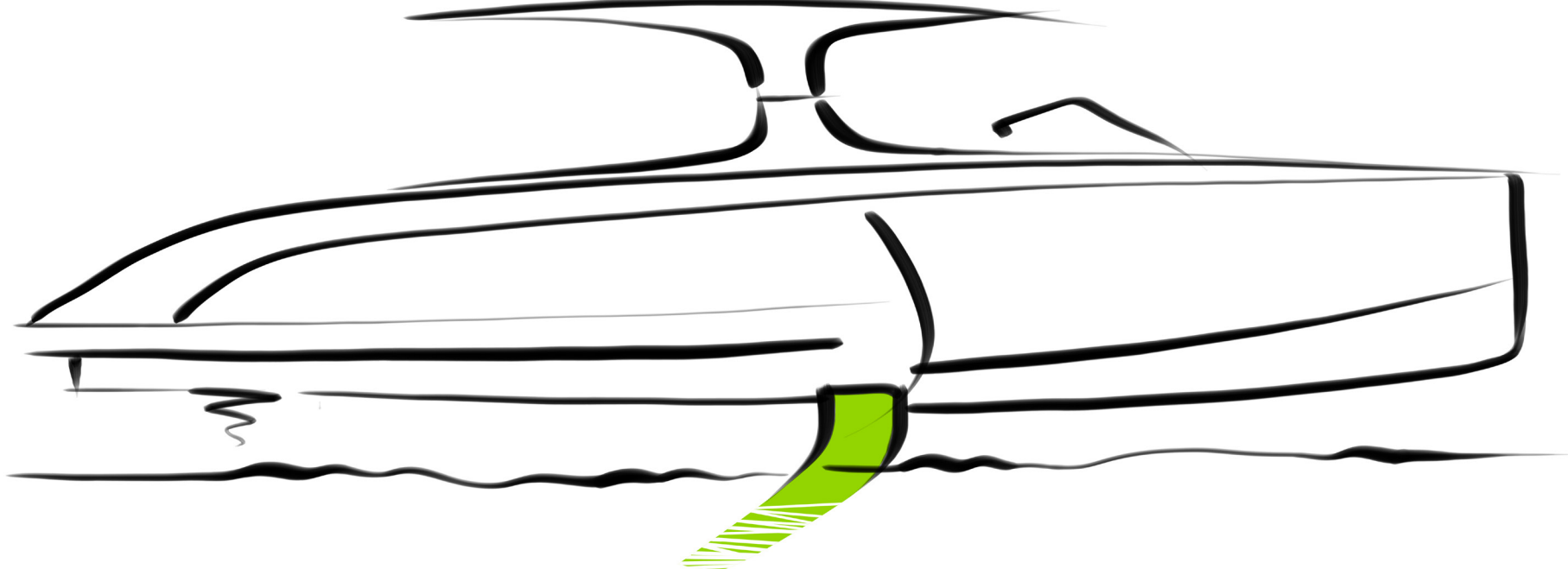
The SEAir team and top designer Sacha Lakic are brought together by a shared passion to create the ultimate experience between the sea and the sky.



Discover the latest generation of flying boats, the perfect alchemy between exclusive comfort and cutting-edge technology.



Just fly!



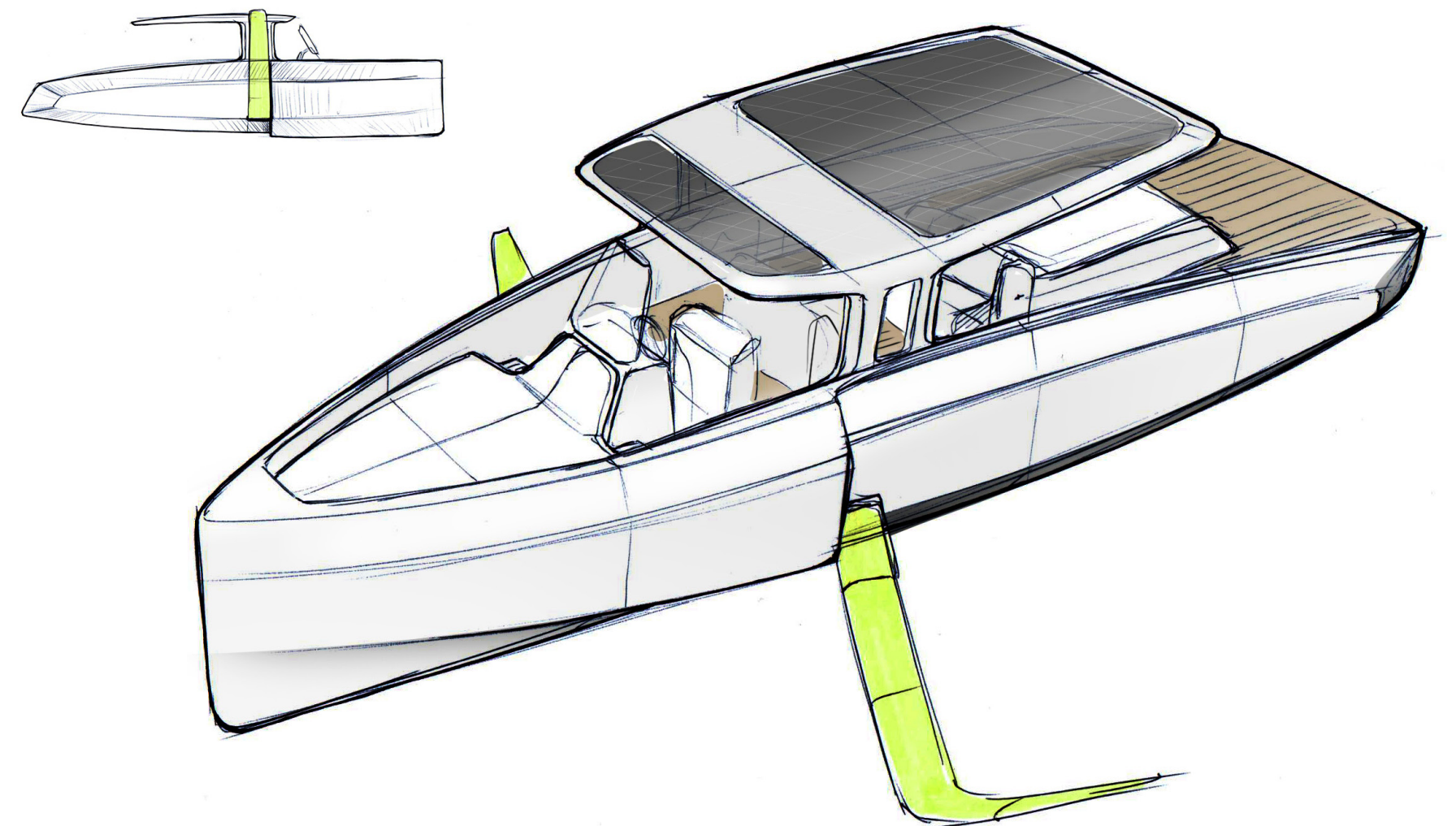


Sacha Lakic

Having explored architecture, furniture, beautiful sports cars and motorcycles, Sacha Lakic's creative energy is now being channelled into SEAir's flying boats.

His conviction is that while beauty is emotional, it must also be functional. He proves this with a masterful use of space, exclusive outfitting and the exceptional performance of his signature boats.

Dream it, design it...



There's no better way to skim the waves

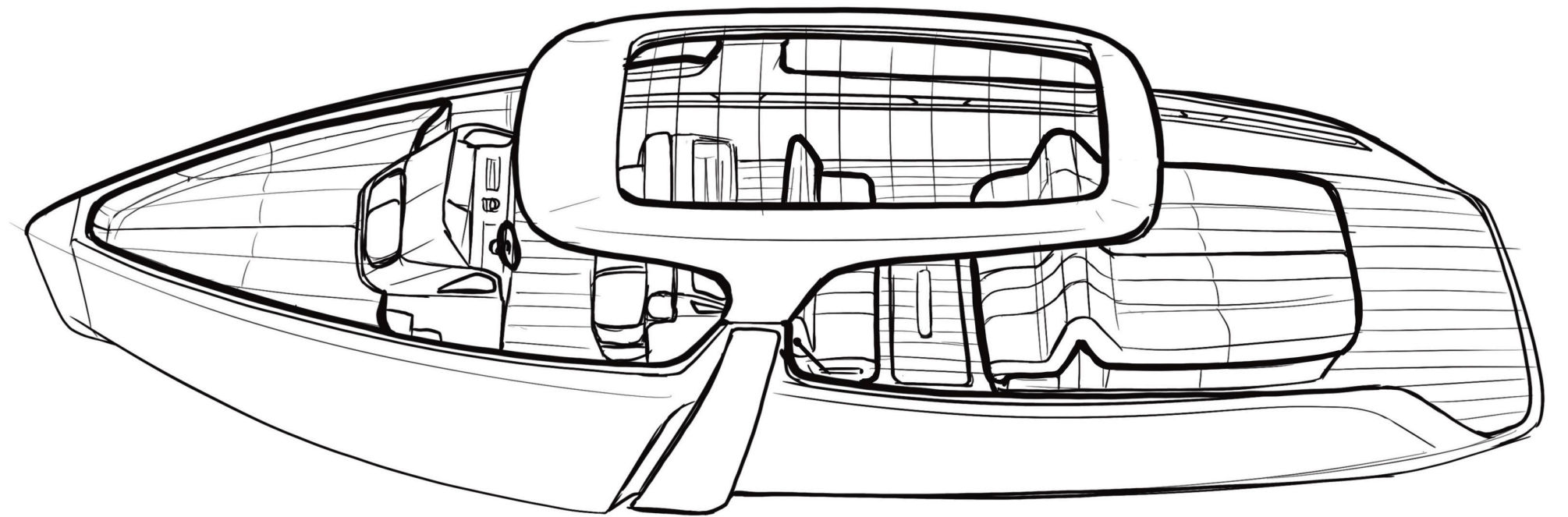
Pure comfort. With its automatic hydrofoil management, your boat offers you the smoothest possible ride, unparalleled stability and an unforgettable experience.

Skim the waves at the touch of a button to enjoy a unique freedom.



Hydrofoils always enhance your boating experience, and foiling offers both exceptional performance and greater average speed.

Comfort & performance

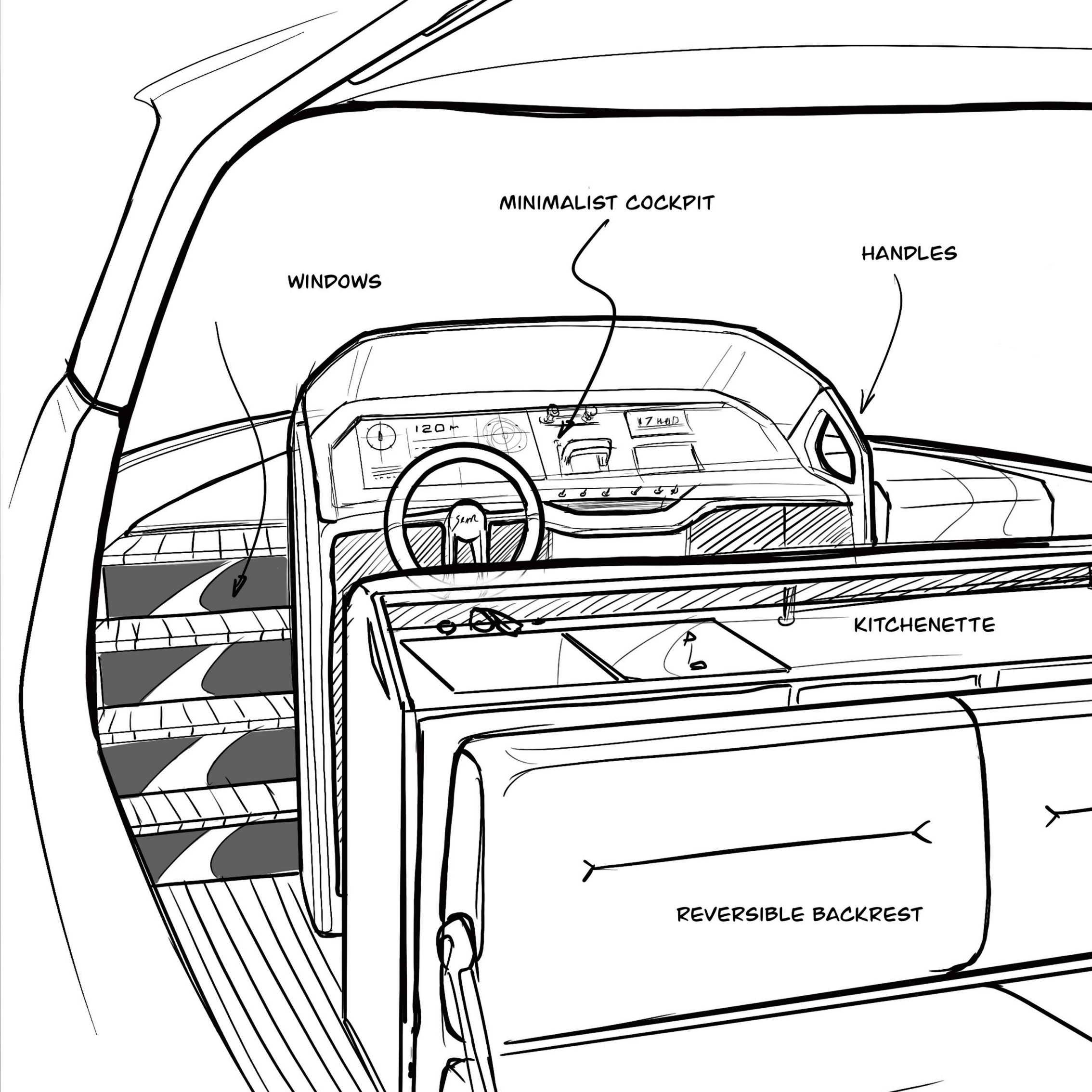


Like the two sides of a coin

Nothing less than the finest in French style

With their proven foiling system technologies, the SEAir flying boats are equipped with full-carbon hydrofoils and have been cruising the seas and oceans since 2017.

Whether the hydrofoils are retractable or foldable, whether they are electronically or manually controlled, leading shipyards have put their trust in SEAir with their Concept Boat of the future or the conception of flying boats to enlarge their range.



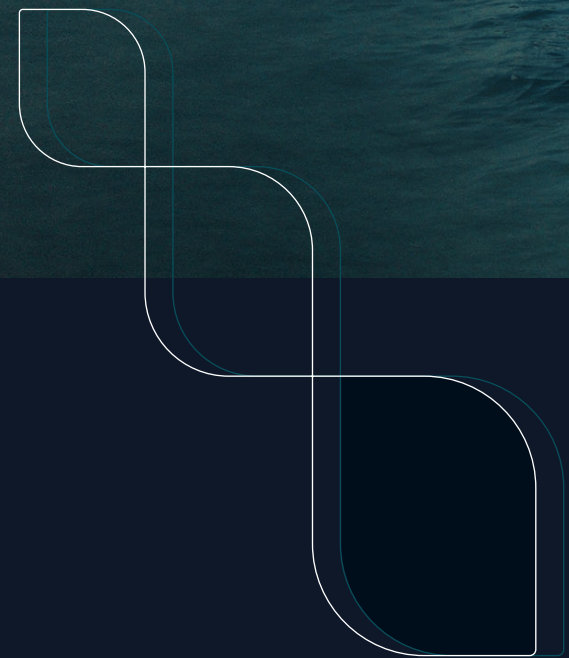
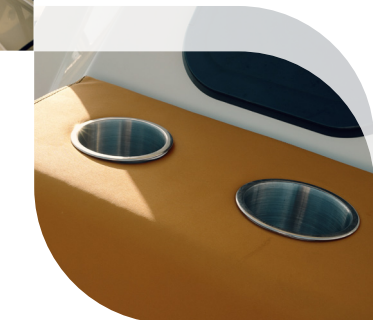
SEAir Flying Tender®80 & bespoke 10m

The Flying Tender® 80 is equipped with retractable and servo-controlled hydrofoils. These are in widespread use around the world, with clients using them for cruising, recreational activities, passenger and other transfer, and numerous other applications.

The bespoke 10 m is equipped with four retractable hydrofoils. Our client's guests get to travel in complete comfort to resorts and on exclusive excursions.

Let's visualise together the options for your very own flying boat, and we'll build it to match your personal style!

OUR RIGID HULL FLYING BOATS AND FLYING RIB ARE BUILT AND OUTFITTED TO THE HIGHEST STANDARDS.



Comfort | Eco-friendly | Performance

Based in the port of Lorient, at the heart of France's sailing community, we innovate, test, refine and build our flying boats.

We have available all the technologies needed to offer our clients a unique experience that takes skimming the waves to a new level.



SEAir
FLYING BOAT



SEAir
FLYING BOAT

10 rue Chalutier Les 2 Anges | 56100 Lorient - France

✉ yachting@seair-boat.com | ☎ +33 (0)9 72 60 10 84

www.seair-boat.com | [f](#) [t](#) [@](#) [v](#) [in](#)